

# Solutions for Solar Tracking



**Where nature meets high technology: making solar power more cost-effective.**

Renewable energy has to be more cost-efficient and that's where HAWE Hydraulik's solutions for solar tracking come in. They are easy to install, low in energy consumption and meet strict safety standards while offering many years of reliable service. In short, they are a sure-fire way to generate sustainable profitability gains.

**Solutions for a World under Pressure**

**HAWE**  
**HYDRAULIK**



# Benefit from our unlimited energy.

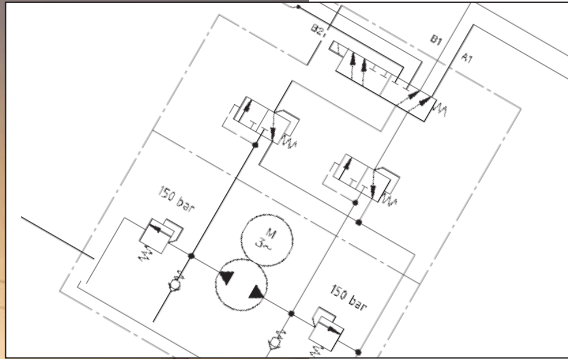
## **Making energy generation more efficient.**

HAWE Hydraulik is a company that takes responsibility seriously. This is why protecting the environment and its resources remain at the heart of our corporate strategy and everyday work. We are particularly focused on enhancing the technology of our hydraulic solutions for use in generating renewable energy.

## **Helping you make the most of the sun.**

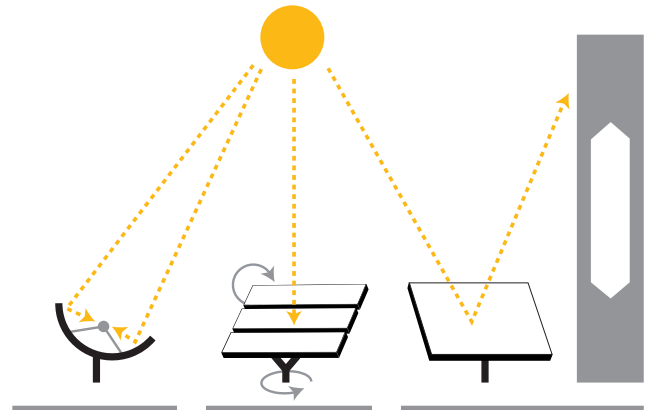
For around 15 years, HAWE's compact hydraulics have played an important role in wind turbines. Recently, HAWE has also been providing solutions for the new yet rapidly growing solar energy industry. One example is the development of a proven device for continuous or successive tracking of solar panels in the azimuthal or zenithal direction. Our solar tracking systems offer you a highly efficient way of generating power from solar energy.





**The basic concept:**

- compact oil-immersed motors
- oil-leakage-free directional seated valve technology
- accumulator charging circuits
- safety and overload functions
- single power connection
- energy-saving eight-watt technology



## A sunny outlook.

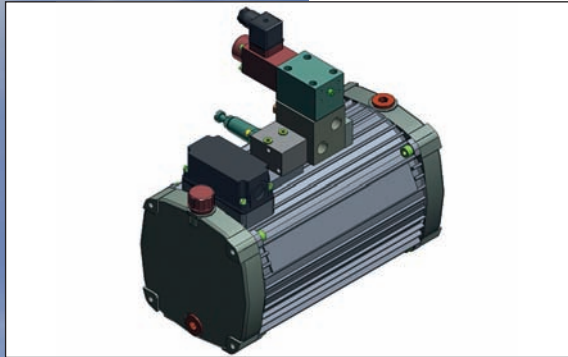
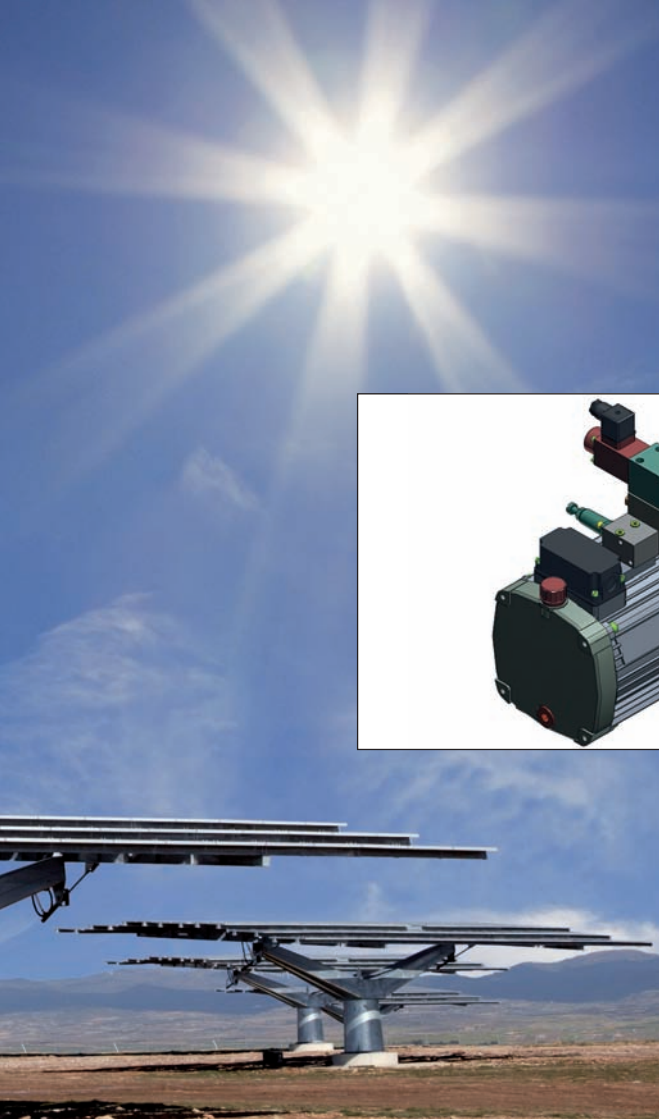
### **Ensuring everything goes as planned.**

We will work together with you to develop a suitable turnkey solution – from the design stage, to creating a prototype to putting it into mass production. Once installed, regular servicing and comprehensive customer support allow you to manage the service life cycle and offer longer warranties.

### **Turnkey solution.**

You will enjoy all of the advantages of a compact solution that is ready for use “as is”. Because the valves are wired up to the single power connection and additional functions are directly integrated in the valve bank, all that is left to do is plug it in and it’s ready for use.





**The idea takes shape:**

- can be fitted vertically or horizontally
- suitable for use with different volumes of oil
- compatible with AC, DC or three-phase current
- high output-to-weight ratio
- compact dimensions
- modular design concept

## Safety comes standard.

The solar panel is automatically lowered if the system is under physical strain or if a drop in voltage is detected. HAWE Hydraulik's intelligent hydraulic solutions for solar tracking systems have set new standards in the industry enabling your solar plants to work with maximum efficiency and safety. Even in extreme conditions, such as fluctuating temperatures, high humidity and intense UV radiation, the hydraulics ensure reliable, energy-efficient tracking.





**Reliable finished products:**

- complete ready-to-connect solutions
- reliable filter and accumulator technology
- advanced mechanical and electronic sensors
- HAWE electronics for controlled tracking and accumulator monitoring



# HAWE Hydraulik – exceptionally innovative.

## **Modular systems mean more flexibility.**

The various HAWE components can be combined as required giving you the flexibility to create solutions tailored to meet your needs. Choose from a wide selection of pumps, valves, sensors and electronic components.

## **Here to help.**

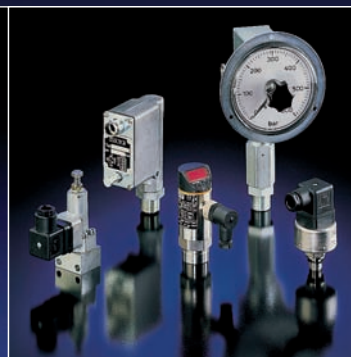
HAWE Hydraulik provides on-site support for you and your customers through a network of 13 subsidiaries and 30 specialist sales partners worldwide. We provide expert advice on the product, including installation and documentation issues, installing and commissioning the system, and on-site customer support – at every stage – from prototype development to series production.

## **Proven HAWE quality.**

HAWE has built a credible reputation as a provider of high-quality, reliable hydraulic solutions. A major reason for this is that all our pressurized components are made of steel, which means they are highly pressure-resistant, compact, leak-proof and durable. Because they are designed to withstand high pressure, they offer additional safety and when used in normal conditions even more years of reliable service.



Directional seated valves control movement



Sensors monitor relevant parameters



Electronics control the system and monitor performance

Pressure comes from compact power units, available in various sizes.

HAWE Hydraulik SE · Streitfeldstr. 25 · 81673 München · Postfach 800804 · 81608 München · Germany  
Tel. +49 89 379100-0 · Fax +49 89 379100-1269 · [www.hawe.de](http://www.hawe.de) · [info@hawe.de](mailto:info@hawe.de)